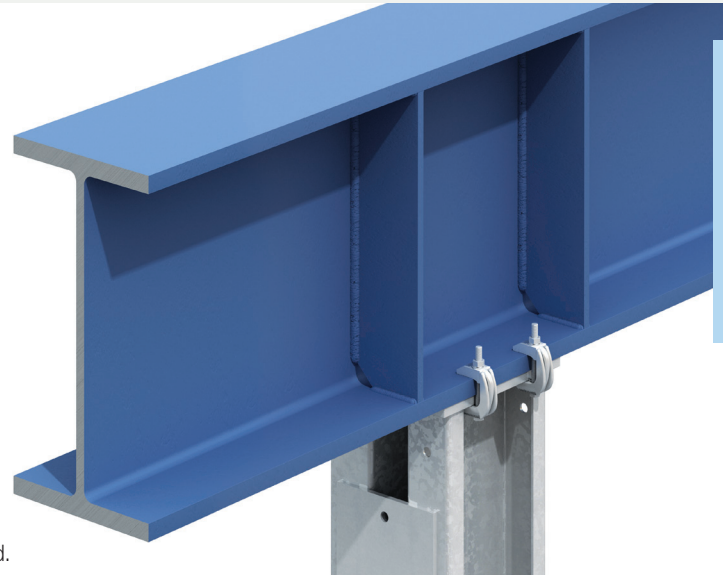
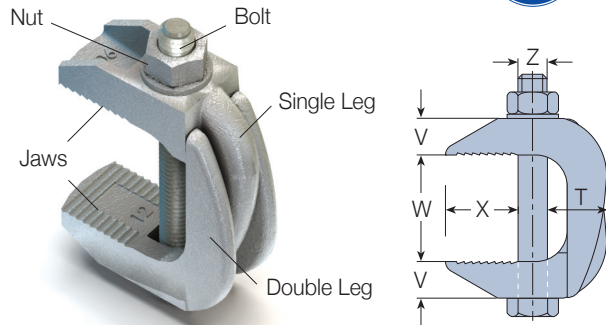


Type F9

Malleable iron, bright zinc plated / hot dip galvanized



A flange clamp for connecting parallel running steel sections with flanges of the same width. The clamps can be used with bolts or alternatively with threaded rod.

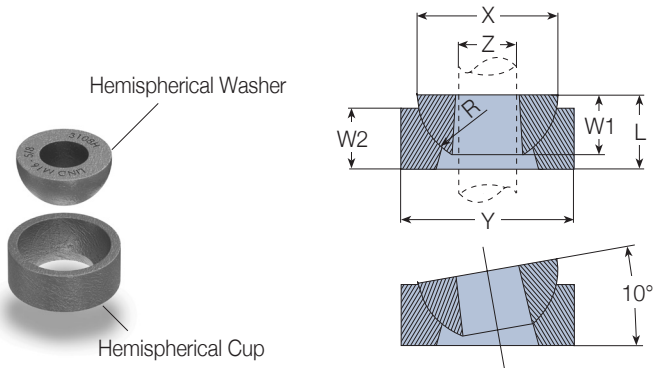
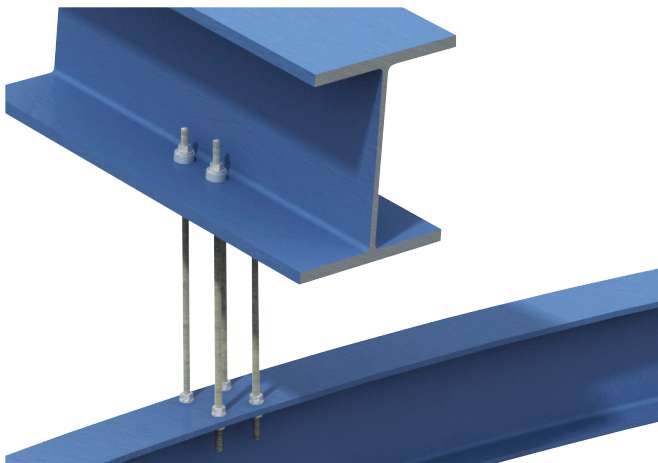
Not suitable for tapered flanges.

Product Code		Bolt Size Z	Safe Working Loads (5:1 Factor of Safety) Tensile / 1 Bolt lbs	Tightening Torque ft lb	X	Dimensions		V	T	Width
with Bolt	without Bolt					min	max			
LF9037WB	LF9037NB	3/8"	440	15	1"	3/4"	11 1/16"	1/2"	3/4"	15 1/16"
LF9050WB	LF9050NB	1/2"	630	29	1 3/8"	1"	2 3/8"	11 1/16"	15 1/16"	13 1/16"
LF9062WB	LF9062NB	5/8"	1260	69	1 11/16"	1 1/8"	2 3/4"	13 1/16"	1 1/8"	13 3/8"
LF9075WB	LF9075NB	3/4"	1880	131	2"	1 1/4"	3 1/4"	1"	1 3/8"	13 3/4"
LF9100WB	LF9100NB	1"	3147	173	3"	1 3/4"	3 3/4"	1 1/2"	2 3/16"	21 1/2"

Order example: LF9037WB

Type HW/HC

Malleable iron, bright zinc plated / hot dip galvanized



For vertical suspension on angled surface of up to 10° swing either side of the vertical. The hemispherical washer (HW) can be used without the cup. Loads are subject to applications. Please contact Lindapter.

Washer	Product Code		Rod Size Z	Dimensions				Washer & Cup	
	Washer	Cup		Washer X	Washer W ₁	Cup Y	Cup W ₂	Washer R	Cup L
LHW037	LHC037	LHC037	3/8"	1"	1/2"	1 1/4"	1/2"	1/2"	9/16"
LHW050	LHC050	LHC050	1/2"	1 1/8"	1/2"	1 3/8"	1/2"	9/16"	5/8"
LHW062	LHC062	LHC062	5/8"	1 3/8"	5/8"	1 5/8"	5/8"	11 1/16"	3/4"
LHW075	LHC075	LHC075	3/4"	1 3/4"	3/4"	2 1/8"	3/4"	7/8"	15 1/16"
LHW100	LHC100	LHC100	1"	2 1/4"	1"	2 5/8"	1"	1 1/8"	11 1/4"

Order example: LHW037 + LHC037